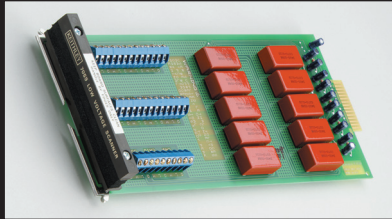


7059



- $<1\mu\text{V}$ contact potential
- 200V switching
- Screw terminal connections

Ordering Information

7059 Low Voltage Scanner Card

7061

- Circuit prototyping
- Access to relay drive lines
- Extender cable

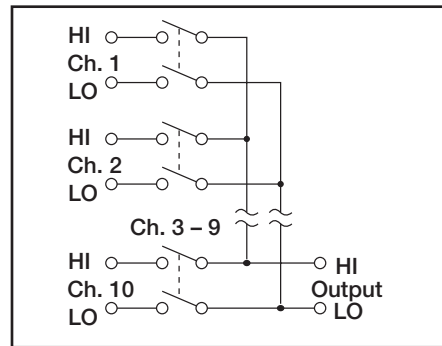
Ordering Information

7061 Universal Adapter Card

Low Voltage Scanner Card

10-Channel, 2-Pole

For low-level transducer switching, the Model 7059 is designed to reduce errors due to thermocouple effects in the contacts ($<1\mu\text{V}$ maximum) and ensure that high isolation ($10^{12}\Omega$) is maintained between input signals. It will switch any one of ten signals to one output or switch one signal to any one of ten outputs. Switch settling time is less than 2 milliseconds.



CHANNELS PER CARD: 10.

CONTACT CONFIGURATION: 2-pole Form A, common guard connection.

CONNECTOR TYPE: Screw terminal, #18AWG maximum wire size.

RELAY DRIVE CURRENT: 13mA per relay typical.

MAXIMUM SIGNAL LEVEL: 200V 100mA, or 2VA (resistive load only).

CONTACT LIFE: $>10^6$ closures cold switching; $>10^6$ closures at maximum signal levels.

CONTACT RESISTANCE: $<2\Omega$ to rated life.

CONTACT POTENTIAL: $<1\mu\text{V}$ input to output with copper leads ($<200\text{mV}$ typical within 1 minute of actuation).

WARM-UP: 1 hour in mainframe for thermal stability.

ACTUATION TIME: $<2\text{ms}$, exclusive of mainframe.

CHANNEL ISOLATION: $>10^{12}\Omega$, $<10\text{pF}$.

INPUT ISOLATION, DIFFERENTIAL: $>10^9\Omega$, $<50\text{pF}$.

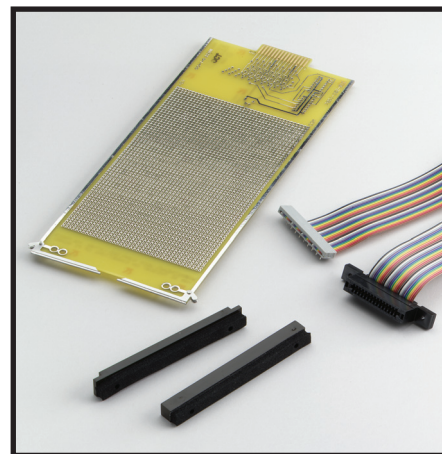
INPUT ISOLATION, COMMON MODE: $>10^9\Omega$, $<150\text{pF}$.

COMMON MODE VOLTAGE: $<200\text{V}$ peak.

OPERATING ENVIRONMENT: 0° to 50°C , up to 35°C at 70% RH.

STORAGE ENVIRONMENT: -25°C to 65°C .

Universal Adapter Card



The Model 7061 was designed with a 6-volt supply, ground trace, and a grid pattern of plated-through holes on 0.1 inch centers for mounting special relays or circuits. Relay drive lines from the scanner mainframe can be used for control. A supplied ribbon cable assembly extends the relay drive lines beyond the enclosure for easy access to relay cards for troubleshooting.

RELAY DRIVE LINES: 350mA sink.

HARDWARE SPACE: 15/16 inch, maximum height a component can protrude from the universal adapter card and fit in the 7001 or 7002 mainframe.

HOLE SIZE: 0.062 inch diameter.

HOLE SPACING: 0.1 inch centers

RIBBON CABLE: 2 ft length with connectors preassembled.

STRAIN RELIEF CLAMP: Assembly provided.

OPERATING CODES: Provided in manual.

1.888.KEITHLEY (U.S. only)

www.keithley.com

KEITHLEY

A GREATER MEASURE OF CONFIDENCE